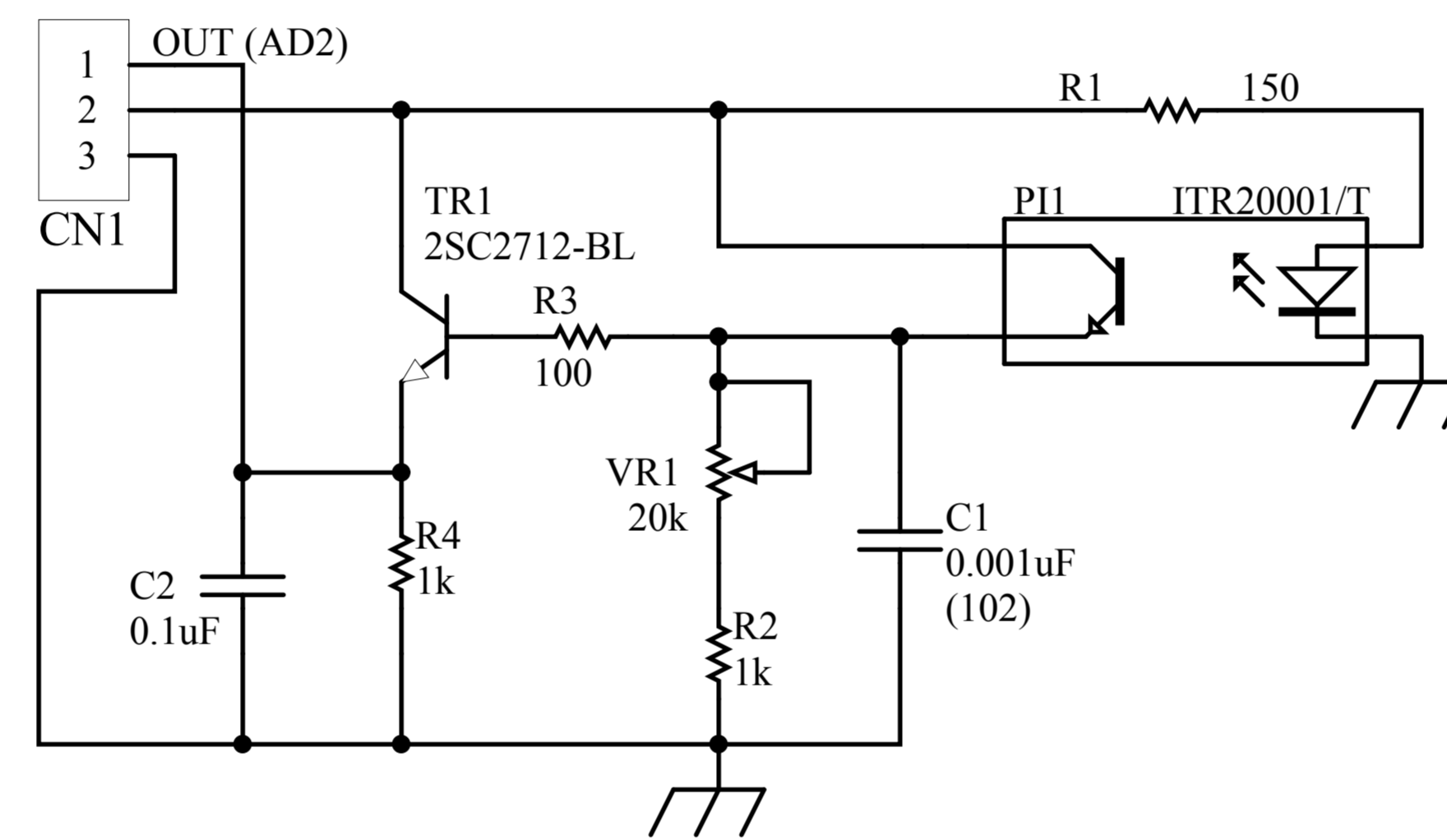


Line Sensor



Title			Line Sensor		
Size	Number	Revision			
A4	DSR-543	DDK09061T			
Date:	2011/08/17	Sheet of			
File:	C:\Altium\...\DDK09061T 20090805.SchDoc	Drawn By:	J. Crouch		